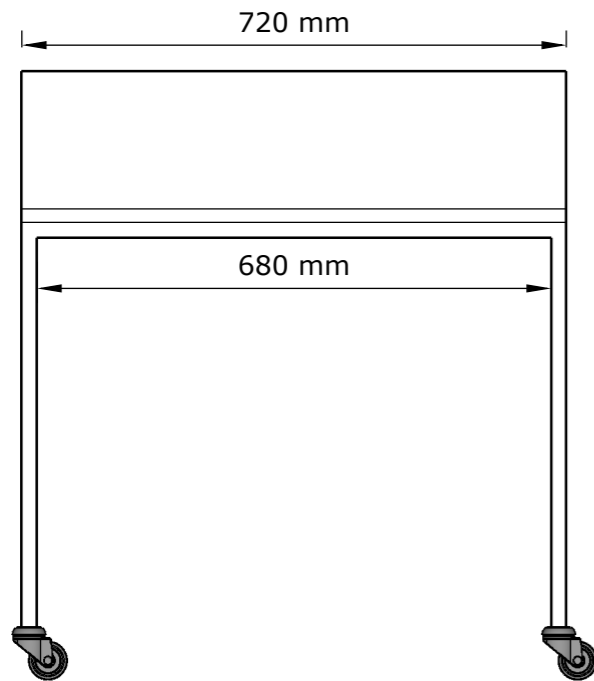
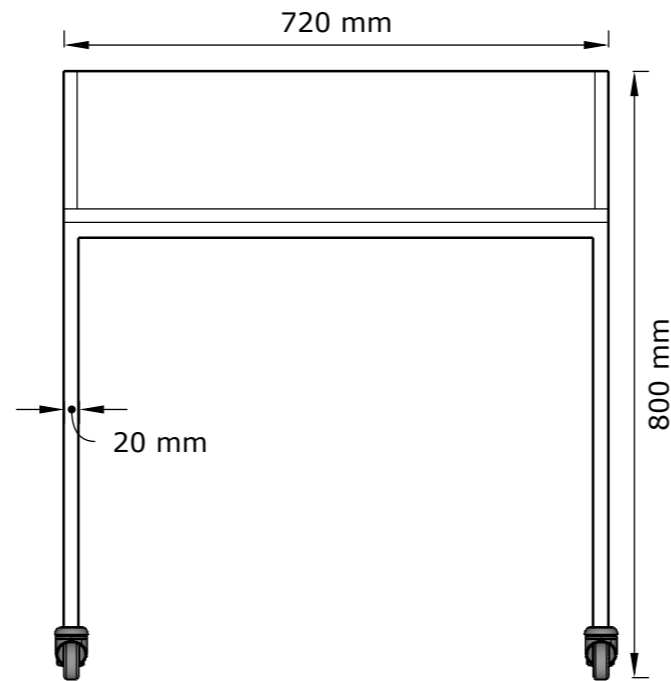


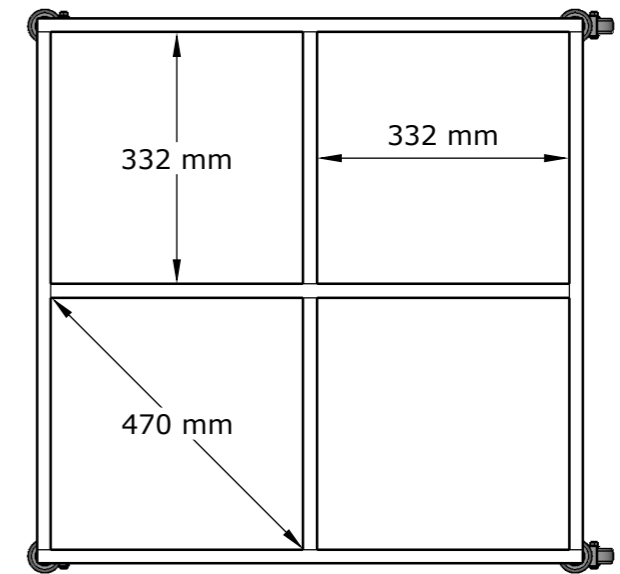
BD-002



Left



Front



Top



edubib
school & library furniture

Scale (A3)	1:10 (excl. illustration)
Date	11-11-2022

